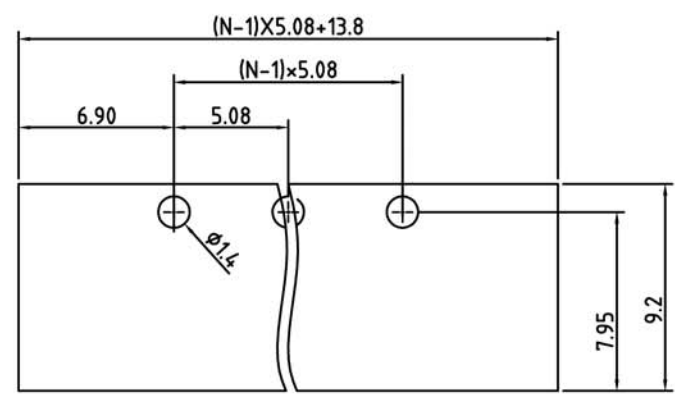
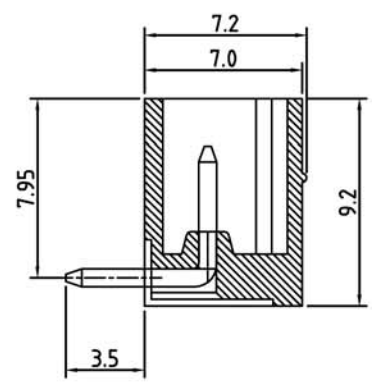
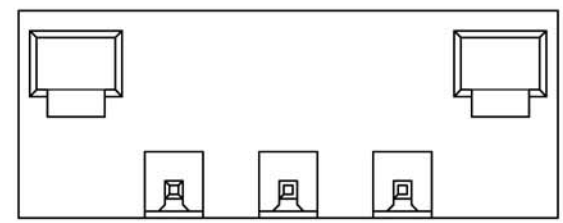
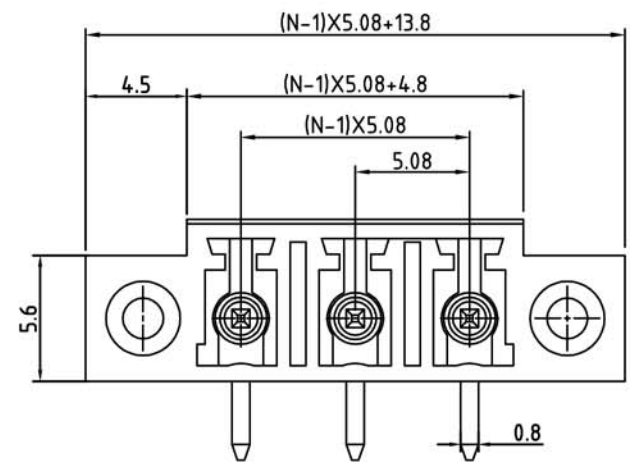


SIGN	DESCRIPTION	DATE	APPROVER
△	-----	2006,10,05	TONY



Technical Data:

Material:

- Solder Pin: Copper Alloy Tin plated
- Metal nut: Copper Alloy
- Insulator body(housing): Polyamide(Glass filled)(UL94V-0)

Electrical

- Voltage rating: 300VAC
- Current rating: 12 Amps/way max
- Withstanding Voltage: 2500VAC(1min) Test time=60sec/1pcs

Mechanical:

- Operating temperature: -40°C to +105°C
- Soldering reliability: Test temperature= 250°C±10°C 5 seconds max

Ordering Information:

F8 3-2-E XX 0 0 0 X 0 0 0 0

- 02 2Pin
- To To
- 24 24Pin
- 5 Green
- 6 Blue
- A Black
- 1 180°
- 2 90°
- 0 Open
- 1 Close
- 2 Screw nut
- 3 Square nut

**WELINK** 上海拓尔普电子科技有限公司  
Welink International Co., LTD.

TOLERANCE	APPROVED:	NAME:
X. ±0.50	CHECKED:	F83-2 Pitch 5.08mm
X.X ±0.30	DRAWN: Liren	-seriec (Square nut 90°)
X.XX ±0.20	2016,12,10	
X° ±1°	UNITS: mm	REV: A
	SCALE: 4 / 1	PAGE: 01 / 01
		PART NO: F832EXX023X0000
		DWG NO: 9F832E001A