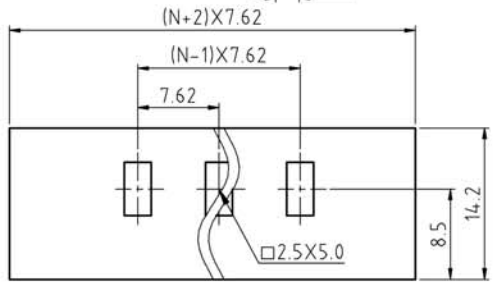
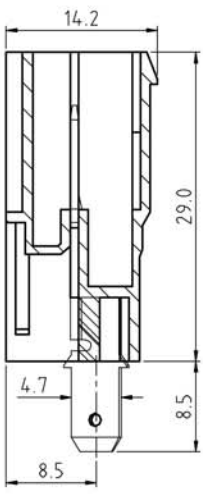
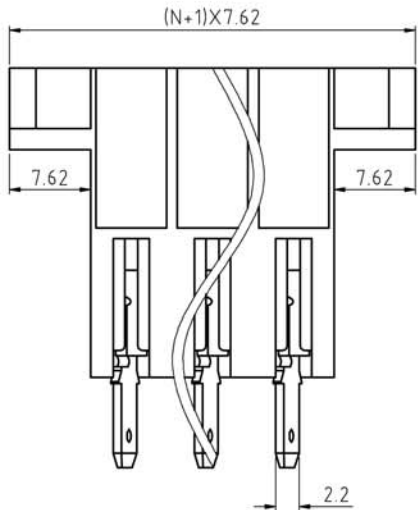


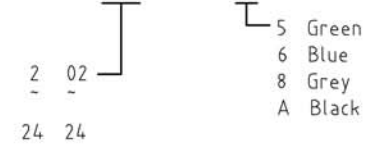
N=Number of contacts



N=Number of contacts

SIGN	DESCRIPTION	DATE	APPROVER

Technical Data:
 Material:
 Terminal: Copper Alloy Tin plated
 Insulator body(housing): Polyamide(Glass filled)(UL94V-0)
 Electrical
 Voltage rating: 300VAC
 Current rating: 32Amps/way max
 Withstanding Voltage: 2500VAC(1min) Test time=60sec/1pcs
 Mechanical:
 Operating temperature: -40°C to +105°C
 Soldering reliability:
 Test temperature= 250°C±10°C
 5 seconds max
 Ordering Information:
 F87-9-G XX-0 0 0 X 0



WELINK 上海拓尔普电子科技有限公司
 Welink International Co.,LTD.

TOLERANCE	APPROVED:	NAME: F87 - 9 - Pitch 7.62mm - Series
X ±0.50	CHECKED:	
X.X ±0.30	DRAWN: Yang Ming 2012,06,20	PART NO: F879GXX000X0
X.XX ±0.20	UNITS: mm REV: A	
X° ±1°	SCALE: 2 / 1 PAGE: 1 / 1	DWG NO: 9F879G001A