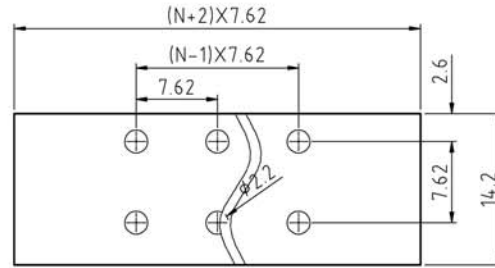
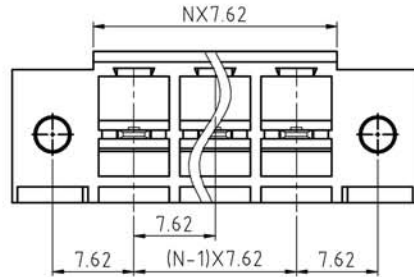
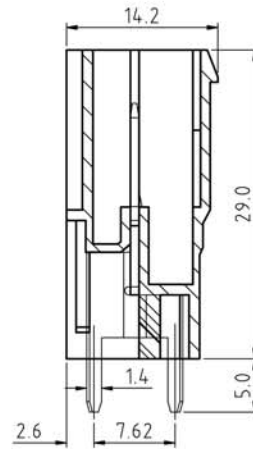
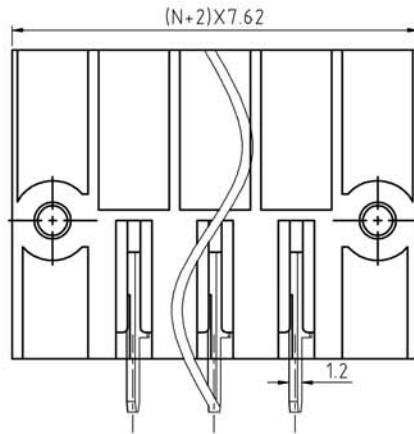


SIGN	DESCRIPTION	DATE	APPROVER



P.C.B. LAYOUT



N=Number of contacts

Technical Data:

Material:

Terminal: Copper Alloy Tin plated

Contact(metal housing): Copper Alloy with Cr3+ plated

Insulator body(housing): Polyamide(Glass filled)(UL94 V-0)

Electrical

Voltage rating: 300VAC

Current rating: 32 Amps/way max

Withstanding Voltage: 2500VAC(1min) Test time=60sec/1pcs

Mechanical:

Operating temperature: -40°C to +105°C

Soldering reliability:

Test temperature= 250°C±10°C

5 seconds max

Ordering Information:

F87-6-G XX-0 0 0 X 0

2	02	5	Green
-	-	6	Blue
24	24	8	Grey
		A	Black

WELINK 上海拓尔普电子科技有限公司
Welink International Co., LTD.

TOLERANCE X ±0.50 X.X ±0.30 X.XX ±0.20 X° ±1°	APPROVED:	NAME: F87 - 6 - Pitch 7.62mm - Series
	CHECKED:	
	DRAWN: Yang Ming 2012,06,20	
	UNITS: mm	REV: A
	SCALE: 2 / 1	PAGE: 1 / 1
		PART NO: F876GXX000X0
		DWG NO: 9F876G001A