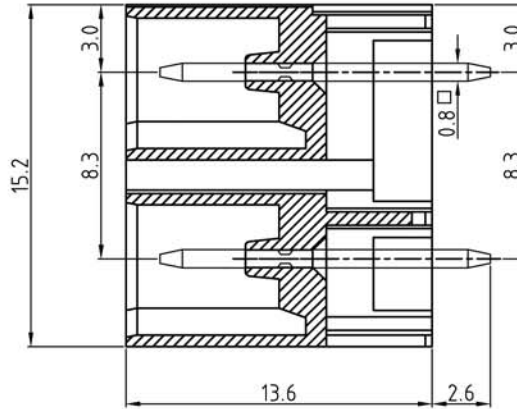
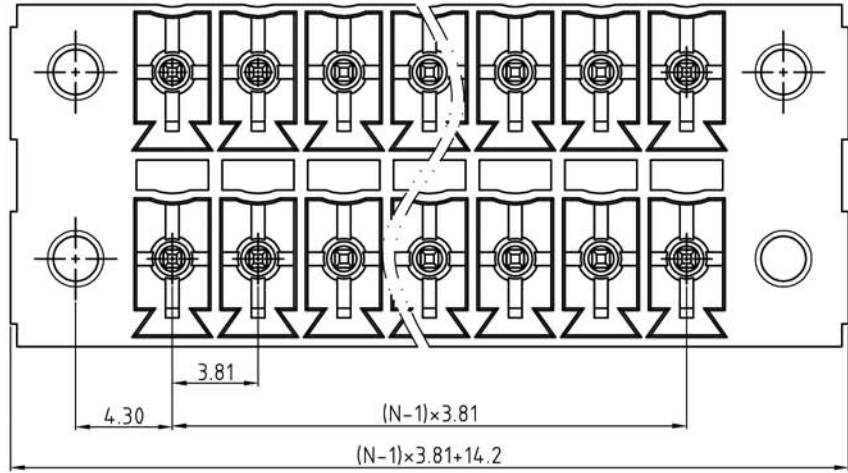


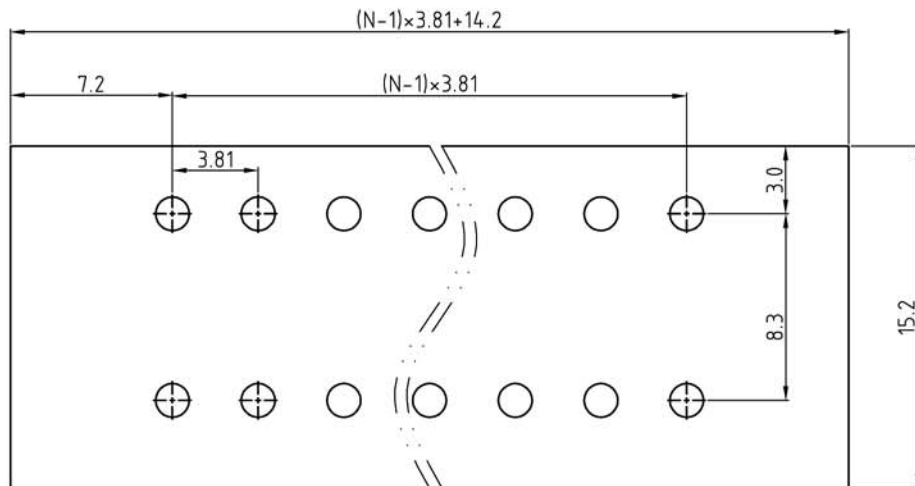
SIGN	DESCRIPTION	DATE	APPROVER



Technical Data:
 Material:
 Solder Pin: Copper Alloy Tin plated
 Insulator body(housing): Polyamide (Glass filled)(UL94V-0)
 Electrical
 Voltage rating: 300VAC
 Current rating: 12A
 Withstanding Voltage: AC 2500V(1min)
 Mechanical:
 Using temperature Range: -40°C to +105°C
 Soldering temperature:+250°C,5seconds Max.

Ordering Information:
F83-T-C XX-0 0 0 X 0 0 0 1
 02 2Pin 5 Green
 To To 6 Blue
 24 24Pin A Black

N=Number of contacts



PCB. LAYOUT

WELINK 上海拓尔普电子科技有限公司
 Welink International Co., LTD.

TOLERANCE X. X.X X.XX X°	APPROVED:	NAME: F83-T Pitch 3.81mm -Series方块螺母	
	CHECKED:		
	DRAWN: LingYu 2014,08,18		
	UNITS: mm	REV: A	PART NO: F83TCXX000X0001
	SCALE: 4 / 1	PAGE: 1 / 1	DWG NO: 9F83TC001A