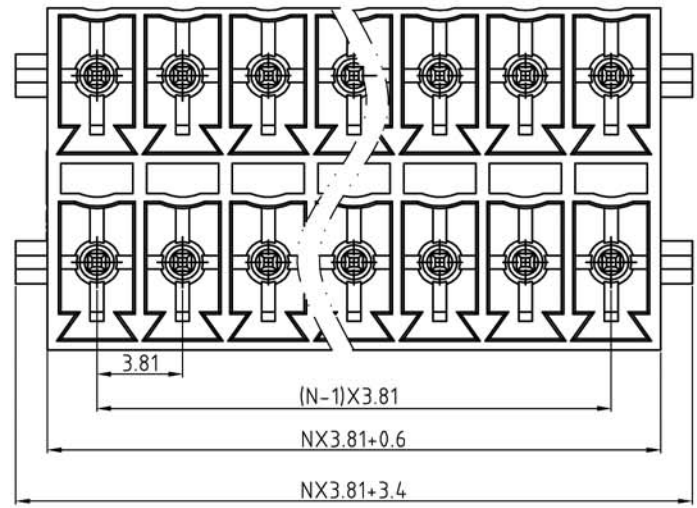
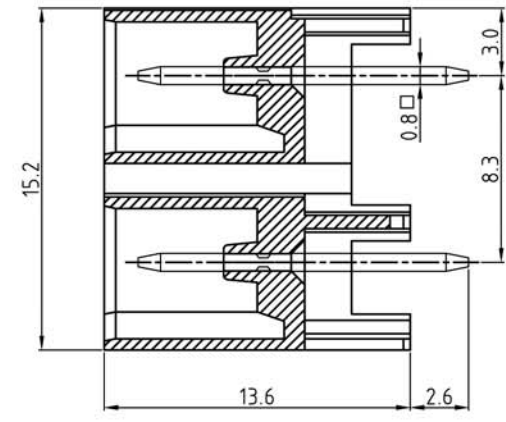


SIGN	DESCRIPTION	DATE	APPROVER



N=Number of contacts



Technical Data:

Material:

Solder Pin: Copper Alloy Tin plated
 Insulator body(housing): Polyamide
 (Glass filled)(UL94V-0)

Electrical

Voltage rating: 300VAC
 Current rating: 12A
 Withstanding Voltage: AC 2500V(1min)

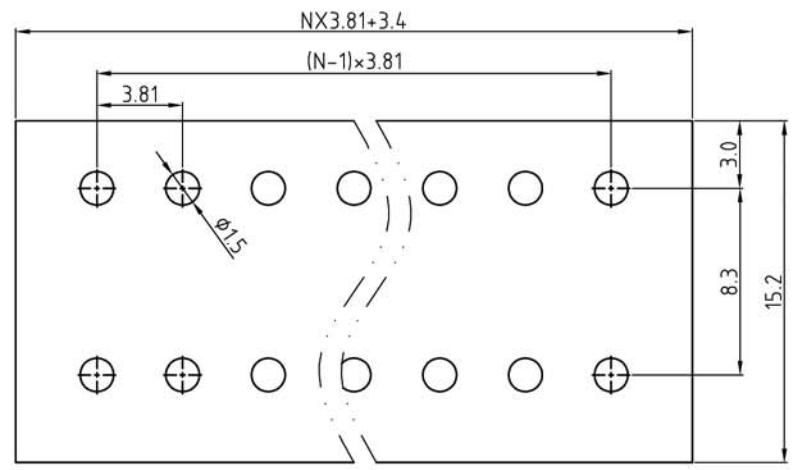
Mechanical:

Using temperature Range: -40°C to +105°C
 Soldering temperature:+250°C,5seconds Max.

Ordering Information:

F83-R-C XX-0 0 0 X 0

02 2Pin 5 Green
 To To 6 Blue
 24 24Pin A Black



PCB. LAYOUT

WELINK 上海拓尔普电子科技有限公司
 Welink International Co., LTD.

TOLERANCE X. ±0.50 X.X ±0.30 X.XX ±0.20 X° ±1°	APPROVED: CHECKED: DRAWN: Ling Yu 2014,08,18	NAME: F83-R Pitch 3.81mm -Series
UNITS: mm	REV: A	PART NO: F83RCXX000X0
SCALE: 4 / 1	PAGE: 1 / 1	DWG NO: 9F83RC001A