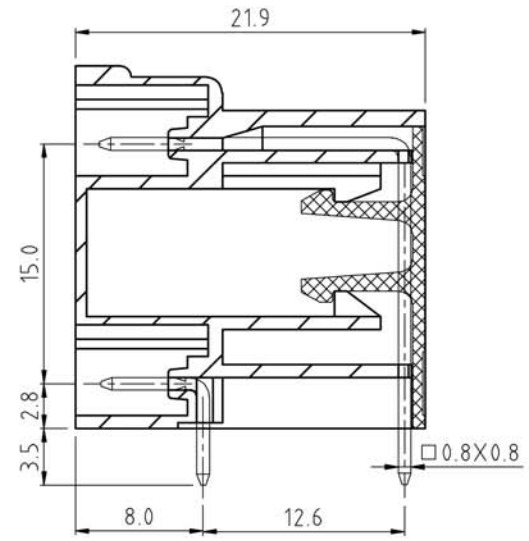
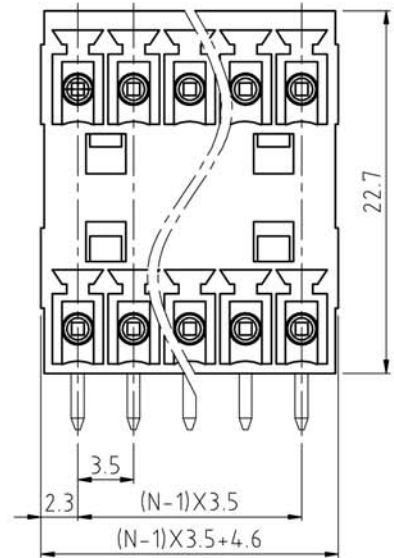
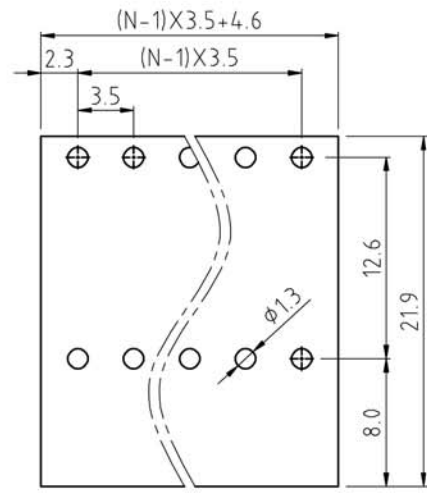


SIGN	DESCRIPTION	DATE	APPROVER



N=Number of contacts



P.C.B. LAYOUT

Technical Data:

Material:

- Solder Pin: Copper Alloy Tin plated
- Insulator body(housing): Polyamide(Glass filled)(UL94V-0)

Electrical

- Voltage rating: 300VAC
- Current rating: 12Amps/way max
- Withstanding Voltage: 2500VAC(1min) Test time=60sec/1pcs

Mechanical:

- Operating temperature: -40°C to +105°C
- Soldering reliability: Test temperature= 250°C±10°C 5 seconds max

Ordering Information:

F83 - J - 3 XX - X 0 0 X 0

2 02

24 24

- 5 Green
- 6 Blue
- 8 Grey
- A Black

WELINK 上海拓尔普电子科技有限公司
Welink International Co., LTD.

TOLERANCE	APPROVED:	NAME: F83 - J pitch 3.5mm
X: ±0.50	CHECKED:	- series
X.X: ±0.30	DRAWN: Yang Ming 2011,09,26	PART NO: F83J3XXX00X0
X.XX: ±0.20	UNITS: mm	DWG NO: 9F83J3001A
X°: ±1°	REV: A	SCALE: 3 / 1
	SCALE: 3 / 1	PAGE: 1 / 1