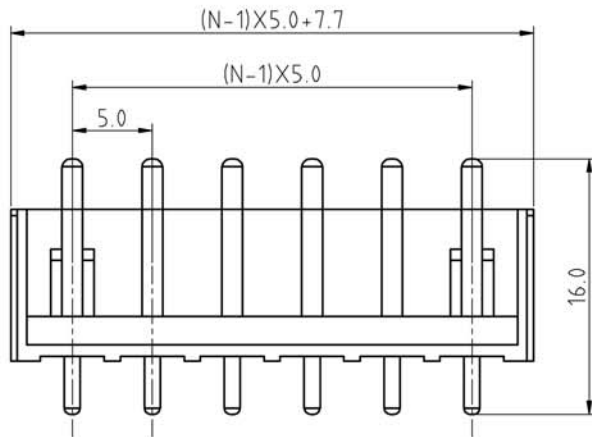
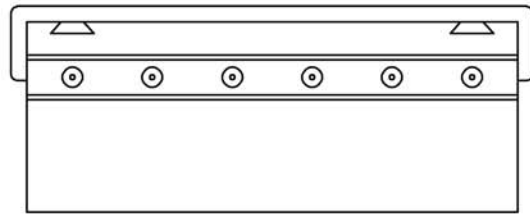
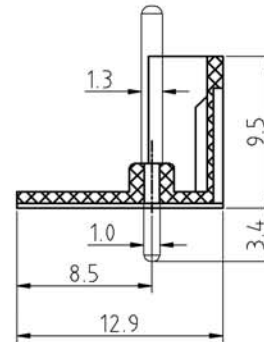
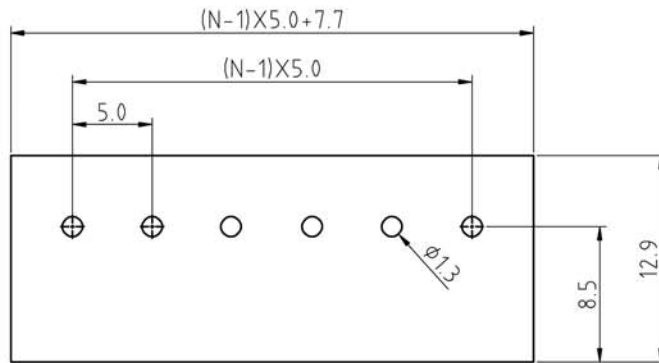


SIGN	DESCRIPTION	DATE	APPROVER

N=Number of contacts



PCB LAYOUT



Technical Data:

Material:

Solder Pin:Copper Alloy

Insulator body(housing): Polyamide(Glass filled)(UL94V-0)

Electrical

Voltage rating: 300VAC

Current rating: 10 Amps/way max

Withstanding Voltage: 2500VAC(1min) Test time=60sec/1pcs

Mechanical:

Operating temperature: -40°C to +105°C

Soldering reliability:

Test temperature= 250°C±10°C

5 seconds max

Ordering Information:

F81 - 3 - 5XX - 0 0 1 X 0

2 02  
- -  
24 24

5 Green  
6 Blue  
8 Grey  
A Black

0 12.9  
1 16.0

**WELINK** 上海拓尔普电子科技有限公司  
Welink International Co., LTD.

TOLERANCE X ±0.50 X.X ±0.30 X.XX ±0.20 X° ±1°	APPROVED:	NAME:  F81 - 3 pitch 5.0mm - series - Pin长16.0
	CHECKED:	
	DRAWN: Yang Ming 2013,01,25	PART NO: F8135XX011X0
	UNITS: mm REV: A	DWG NO: 9F8135101A
	SCALE: 3 / 1 PAGE: 1 / 1	