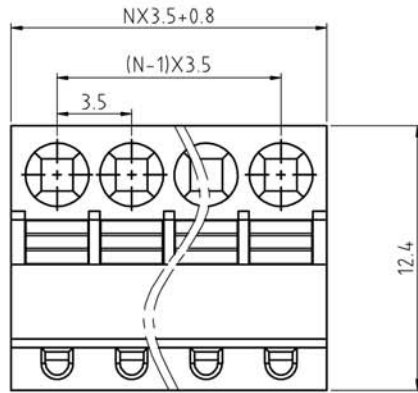
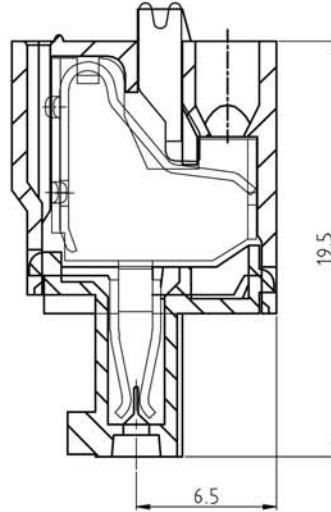
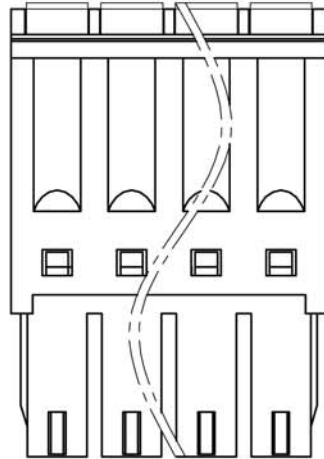


SIGN	DESCRIPTION	DATE	APPROVER



N=Number of contacts



Technical Data:

Material:

Terminal: Copper Alloy, Tin plated.  
 Wire guard: Copper Alloy,  
 Insulator body(housing): Polyamide(UL94V-0)

Electrical

Voltage rating: 300VAC  
 Current rating: 12 Amps/way max  
 Contact resistance: 20mΩ(max)  
 Withstanding Voltage: 2500VAC(1min) Test time=60sec/1pcs  
 Wire range: 16-24AWG

Mechanical:

Operating temperature: -40°C to +105°C  
 Soldering reliability:  
 Test temperature= 250°C±10°C  
 5 seconds max

Ordering Information:

F73 - H - 3 XX - 0 0 0 X 0

2	02	5	Green
-	-	6	Blue
24	24	8	Grey
		A	Black

**WELINK** 上海拓尔普电子科技有限公司  
 Welink International Co., LTD.

TOLERANCE	APPROVED:	NAME:
X ±0.50	CHECKED:	F73 - H - pitch 3.5 mm
X.X ±0.30	DRAWN: Yang Ming 2012,06,20	- series
X.XX ±0.20	UNITS: mm	PART NO: F73H3XX000X0
X° ±1°	REV: A	DWG NO: 9F73H3001A
⊕	SCALE: 4 / 1	PAGE: 1 / 1