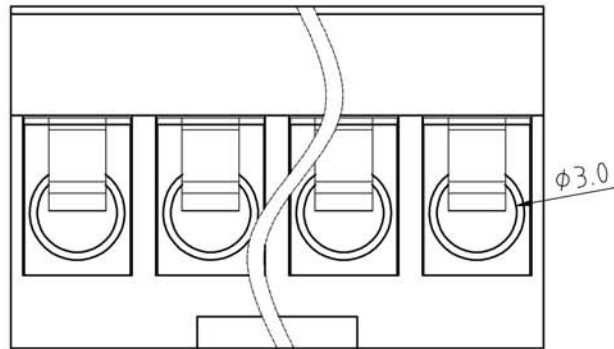
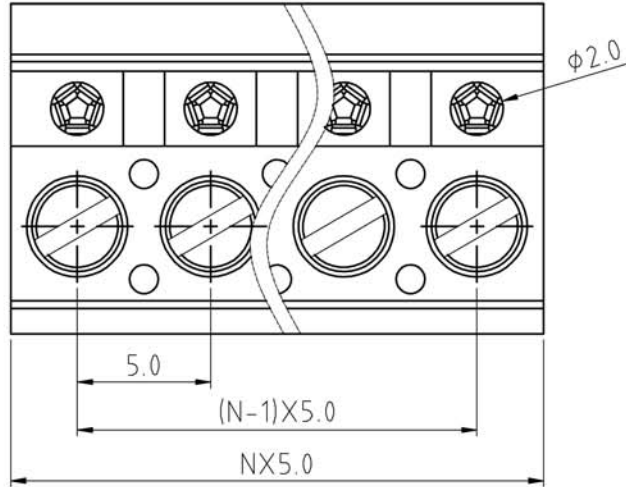
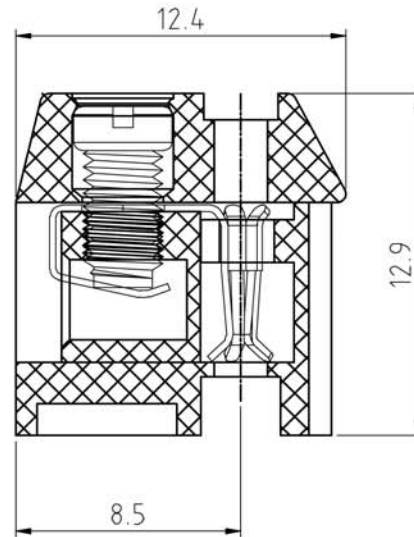


SIGN	DESCRIPTION	DATE	APPROVER



N=Number of contact



Technical Data:

Material:

Contact(metal housing):Copper Alloy with Ni plated
Terminal screw: Steel galvanized with Cr3+ plated
Wire guard: Copper Alloy Tin plated
Insulator body(housing): Polyamide(UL94V-0)

Electrical

Voltage rating: 300VAC
Current rating: 10 Amps/way max
Contact resistance: 20mΩ(max)
Withstanding Voltage: 2500VAC(1min) Test time=60sec/1pcs
Wire range: 14-22AWG
Torque: 3.0kgf.cm/M4.0

Mechanical:

Operating temperature: -40°C to +105°C
Soldering reliability:
Test temperature= 250°C±10°C
5 seconds max

Ordering Information:

F71 - 3 - 5 XX - X 0 0 X 0

2	02				5 Green
-	-				6 Blue
24	24				8 Grey
					A Black
					1 "-" SCREW
					2 "-/+" SCREW

WELINK 上海拓尔普电子科技有限公司
Welink International Co.,LTD.

TOLERANCE	APPROVED:	NAME:
X ±0.50	CHECKED:	F71 - 3 pitch 5.0mm
X.X ±0.30	DRAWN: Yang Ming 2013,01,25	- series
X.XX ±0.20	UNITS: mm	PART NO: F7135XX100X0
X° ±1°	REV: A	DWG NO: 9F7135001A
⊕	SCALE: 5 / 1	PAGE: 1 / 1