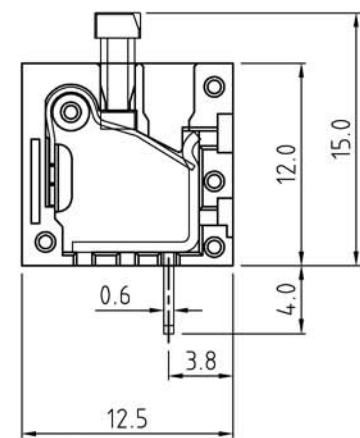
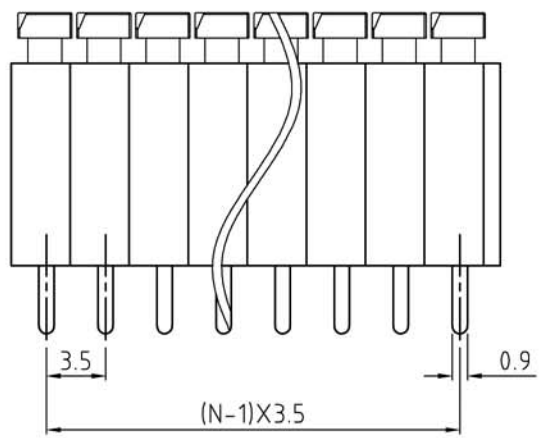
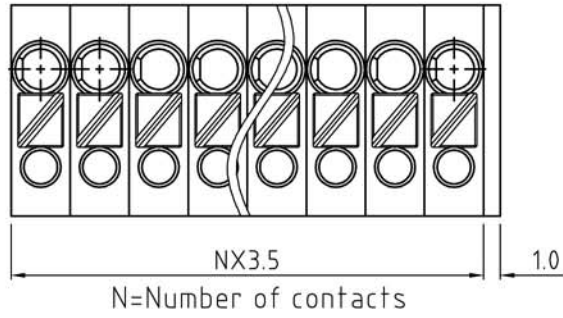


SIGN	DESCRIPTION	DATE	APPROVER
△	变更前180度是F5104, 变更后180度是F5103	YangMing	2014.08.13

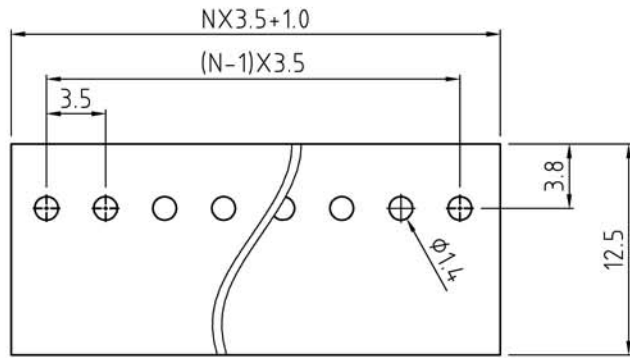


Technical Data:  
 Material:  
 Contact : Copper Alloy Tin plated  
 Wire guard : stainless steel  
 button : Polyamide(Glass filled)(UL94V-0)  
 Insulator body(housing) : Polyamide(Glass filled)(UL94V-0)  
 Electrical  
 Voltage rating: 300VAC  
 Current rating: 10 Amps/way max  
 Contact resistance: 20mΩ(max)  
 Withstanding Voltage: 2500VAC(1min) Test time=60sec/1pcs  
 Wire Range:14-22Awg  
 Mechanical:  
 Operating temperature: -40°C to +105°C  
 Soldering reliability:  
 Test temperature= 250°C±10°C  
 5 seconds max

Ordering Information:  
 △ F51-03-3-XX-10X0

2	02	5	Green
-	-	6	Blue
24	24	8	Grey
		A	Black

P.C.B. LAYOUT



**WELINK** 上海拓尔普电子科技有限公司  
 Welink International Co., LTD.

TOLERANCE X. ±0.50 X.X ±0.30 X.XX ±0.20 X° ±1°	APPROVED: CHECKED: DRAWN: Yang Ming 2014.08.13	NAME: F51-03 pitch 3.5mm - front tail type -180D series
UNITS: mm	REV: B	PART NO: F51033XX10X0
SCALE: 3 / 1	PAGE: 1 / 1	DWG NO: 9F5103311B