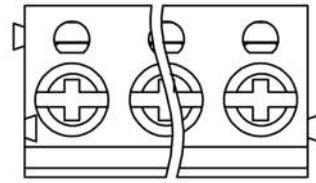
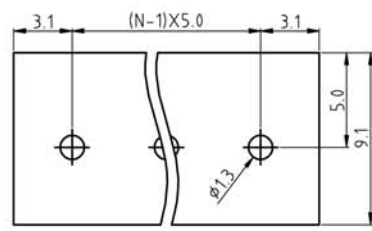
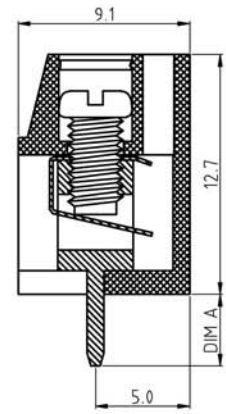
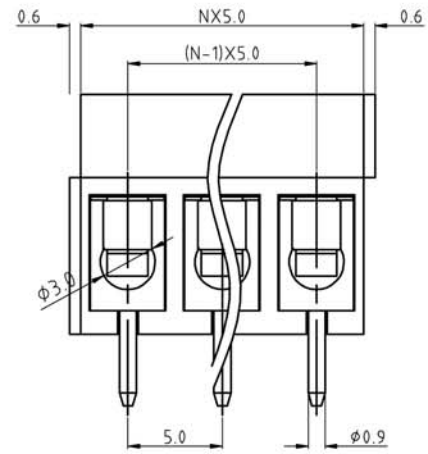


SIGN	DESCRIPTION	DATE	APPROVER
△	-----		TONY



N=Number of contacts



P.C.B. LAYOUT

DIM A	
0	4.2mm
1	3.8mm
2	3.5mm
3	3.2mm
4	2.5mm

Technical Data:

Material:

- Terminal: Copper Alloy Tin plated
- screw: Steel galvanized with Cr3+ plated
- Wire guard: Stainless steel
- Insulator body(housing): Polyamide(UL 94V-0)

Electrical

- Voltage rating: 250VAC
- Current rating: 15 Amps/way max
- Contact resistance: 20mΩ(max)
- Withstanding Voltage: 2500VAC(1min) Test time=60sec/1pcs
- Wire range: 14-24AWG

Mechanical:

- Torque: 4.0kgf.cm/M3.0
- Operating temperature: -40°C to +105°C
- Soldering reliability: Test temperature= 250°C±10°C 10 seconds max

Ordering Information:

- F11-6-5 XX-X X 0 X 0
- 2 02
  - 4 04
  - 24 24
  - 5 Green
  - 6 Blue
  - A Black
  - 0 4.2mm
  - 1 3.8mm
  - 2 3.5mm
  - 3 3.2mm
  - 4 2.5mm
- 1 "-"Screw  
2 "-/+ "Screw

**WELINK** 上海拓尔普电子科技有限公司  
Welink International Co., LTD.

TOLERANCE	APPROVED:	NAME:
X: ±0.50	CHECKED:	F11-6 Pitch 5.0mm Series
X.X ±0.30	DRAWN: Yang Ming 2012,06,20	
X.XX ±0.20	UNITS: mm	REV: A
X° ±1°	SCALE: 3 / 1	PAGE: 1 / 1
		PART NO: F1165XX220X0
		DWG NO: 9F1165002A